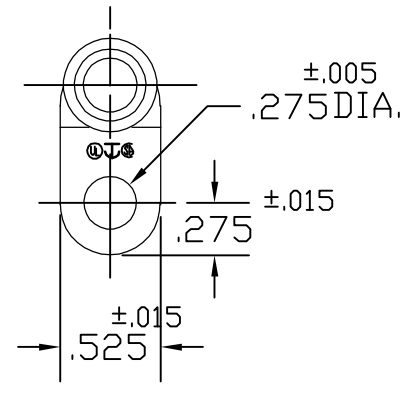
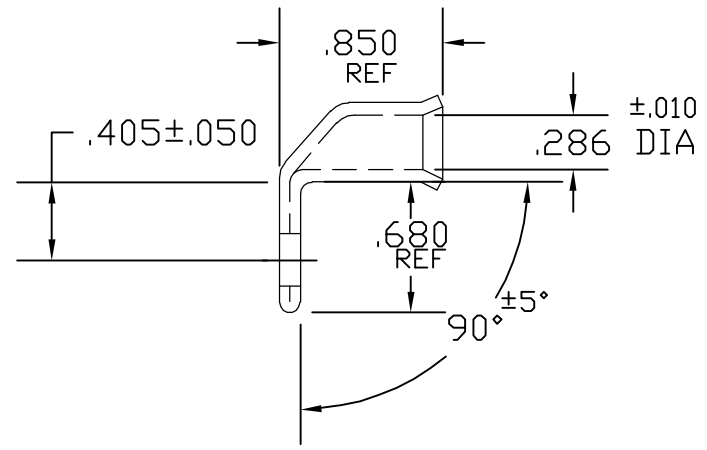


THIS DRAWING IS UNPUBLISHED. RELEASED FOR PUBLICATION
 © COPYRIGHT - BY TYCO ELECTRONICS CORPORATION. ALL RIGHTS RESERVED.

LOC	DIST	REVISIONS					
		P	LTR	DESCRIPTION	DATE	DWN	APVD
G	50		A1	REVISED PER ECR-06-009580	28APR06	HMR	JR



ACTIVE	4141-09-90	STANDARD	TIN PLATE	1526232-2
ACTIVE	4141-08-90	STANDARD	PLAIN	1526232-1
STATUS	AET P/N	PACKAGING	FINISH	PART NUMBER

THIS DRAWING IS A CONTROLLED DOCUMENT.		DWN D.A.A 10/17/00	Tyco Electronics Corporation Harrisburg, PA 17105-3608				
DIMENSIONS: INCHES		CHK H.D.F 10/17/00				NAME 4 STANDARD TERMINAL AND BENT 90	
		APVD H.D.F 10/17/00	PRODUCT SPEC -				
MATERIAL COPPER ASTM B-152		FINISH -	APPLICATION SPEC -	SIZE A3	CAGE CODE 00779	DRAWING NO C-1526232	RESTRICTED TO -
CUSTOMER DRAWING			SCALE 1:1	SHEET 1 OF 1	REV A1		